

DESIGN GUIDELINE

METER INSTALLATION  
FIRE SERVICE TYPE

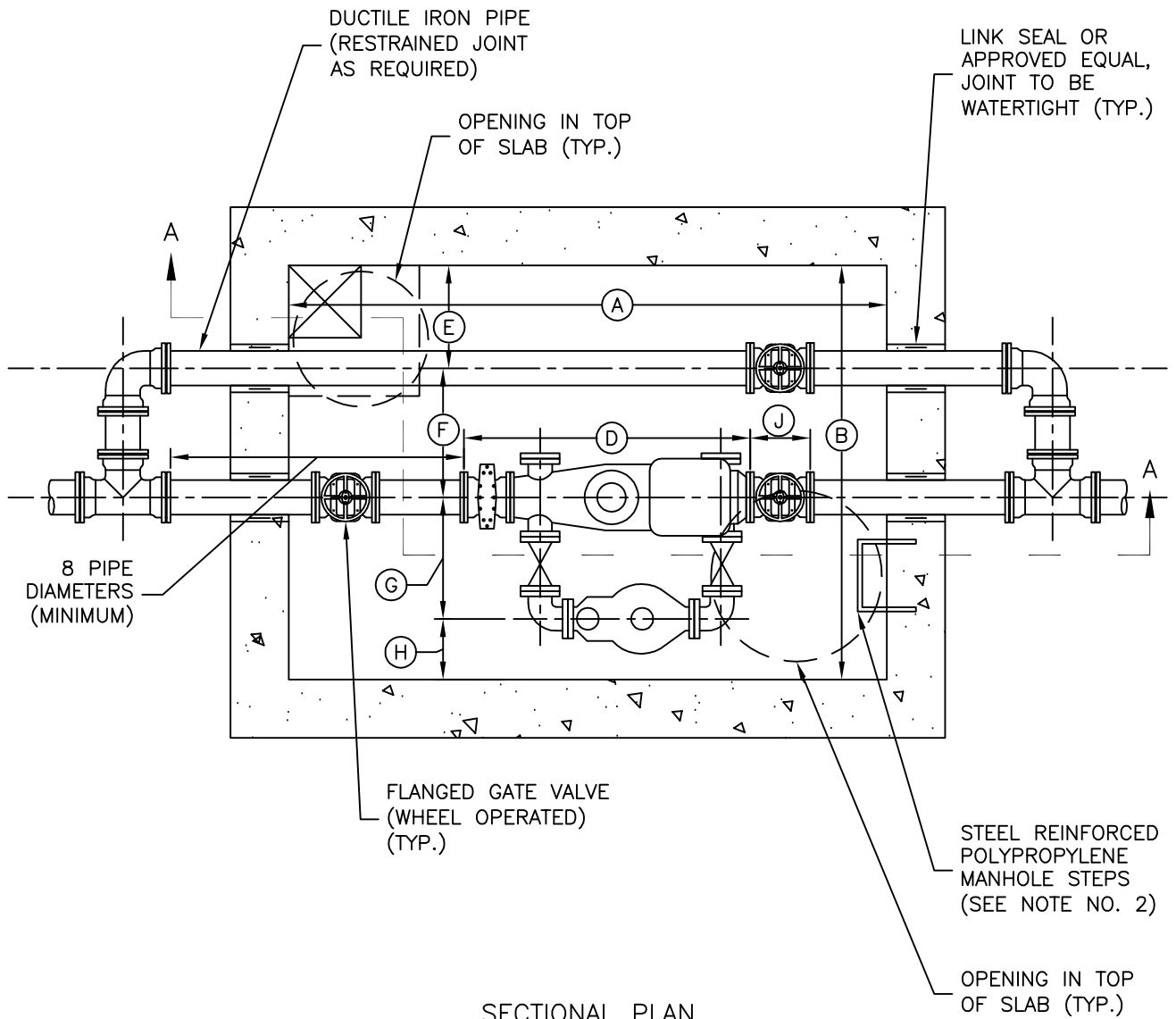
APPROVED BY: X. XXXXXXXXXX

REVIEWED BY: J. SHABELSKI

PREPARED BY: OBC/BKJV

REVISION NO.: 0

DATE: XX/XX/XX



SECTIONAL PLAN  
(NOT TO SCALE)